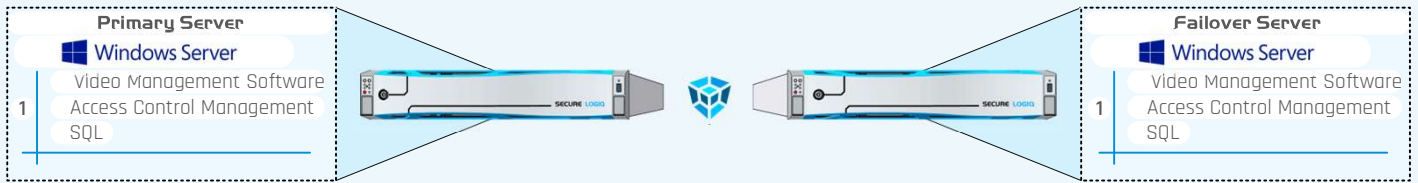


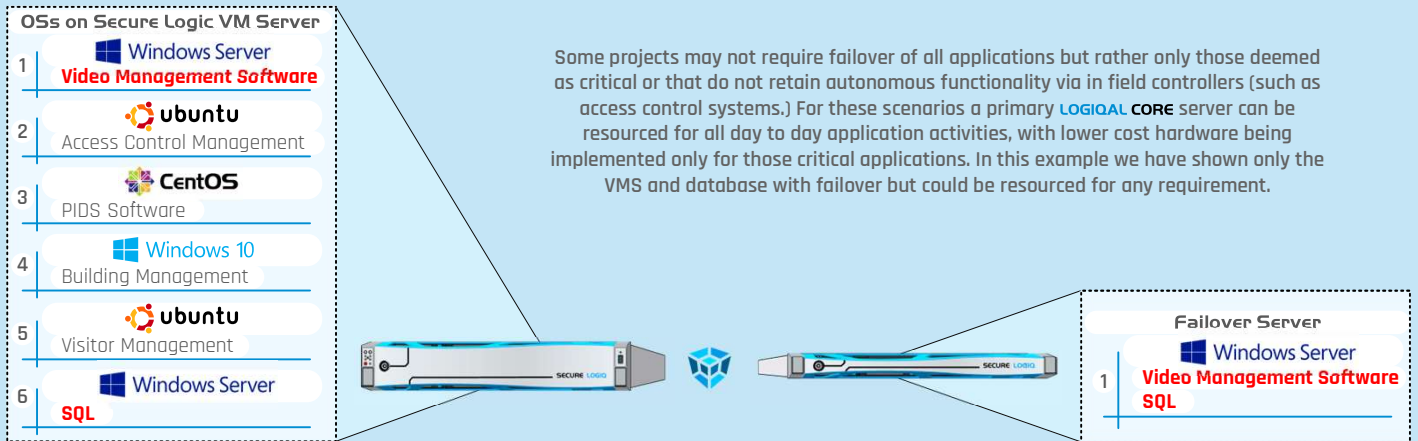


## Direct Failover

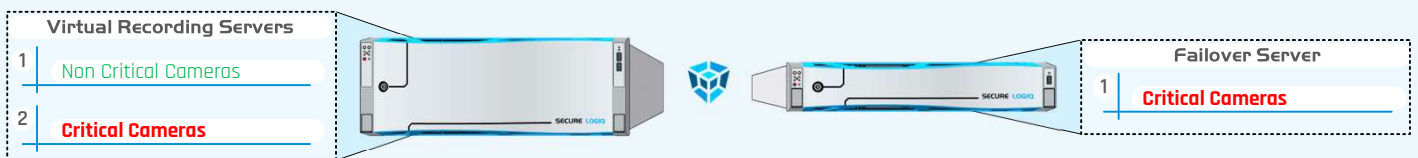
Using LOGIQAL CORE, failover of application software (VMS, AACS, PIDS etc.) and video archiving can be achieved on an N+N basis. In most instances this can be done irrespective of any software features/limitations and or any additional licensing.



## Failover to Lower Cost Hardware

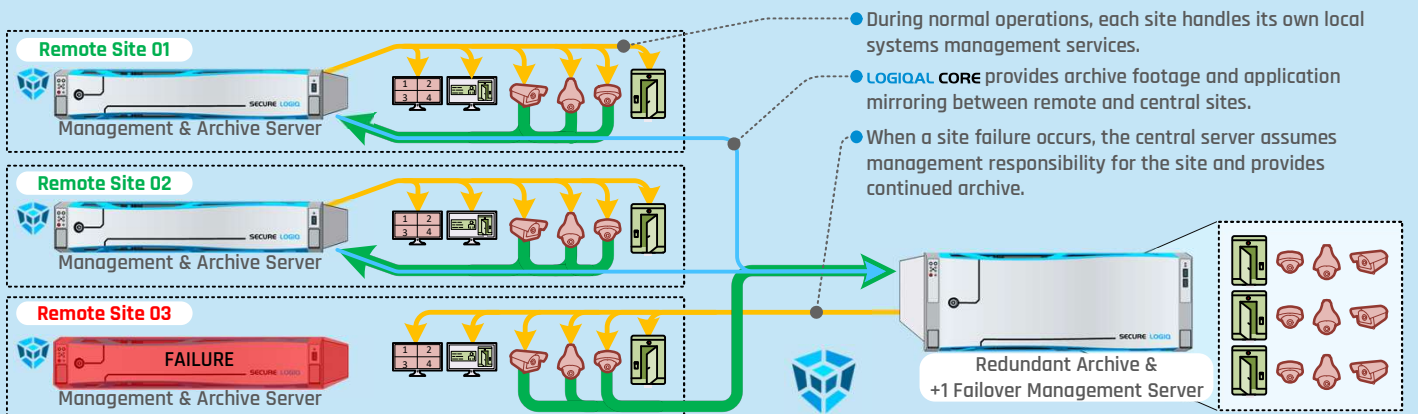


## Failover Only What Matters



In a traditional system failover is all or nothing, however many sites have a small number of cameras deemed to be critical to business operations. With LOGIQAL CORE we are able to failover selected cameras, reducing the cost of the failover hardware. This does not require application failover licenses and is irrespective of application features/limitations.

## Multi-Site Redundant Archive & N+1 Management Failover



Central Redundant Archive with resources for N+1 Management allows any single server to fail whilst maintaining application functionality and access to the historical archive. Other configurations are available such as N+2, N+5, N+10.